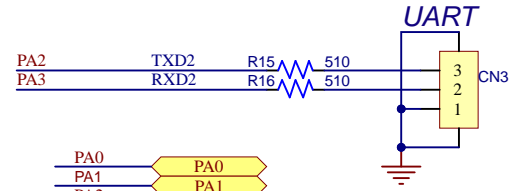
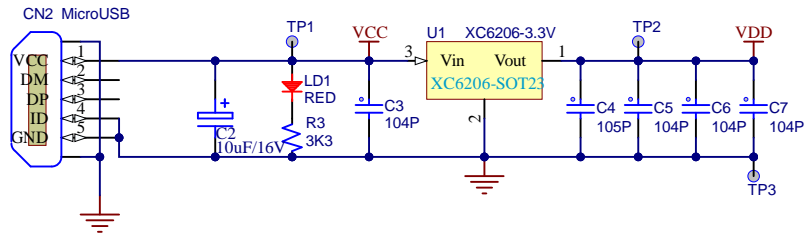
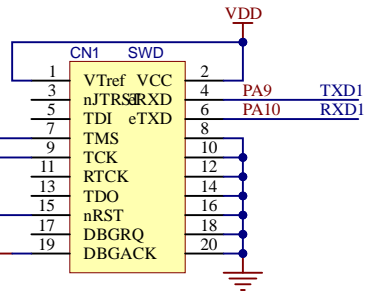


Project Title				MB073_Miniboard_MM32SPIN0280D6P			
Sheet Title				Titil			
Size	A4	Rev	1.1	Drawn	Lu Weiwei		
Sheet	1		8	Checked	Li Hongpeng		
Data	2023.08.14			Approved	Chen Do		

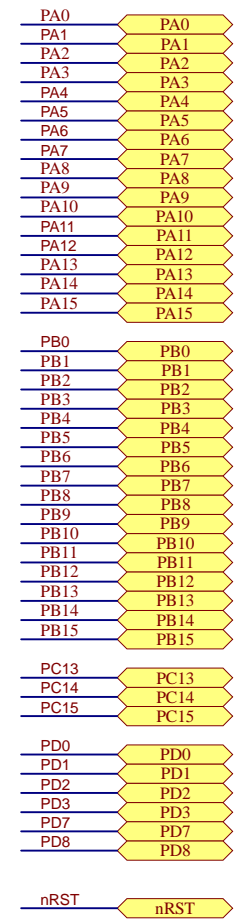
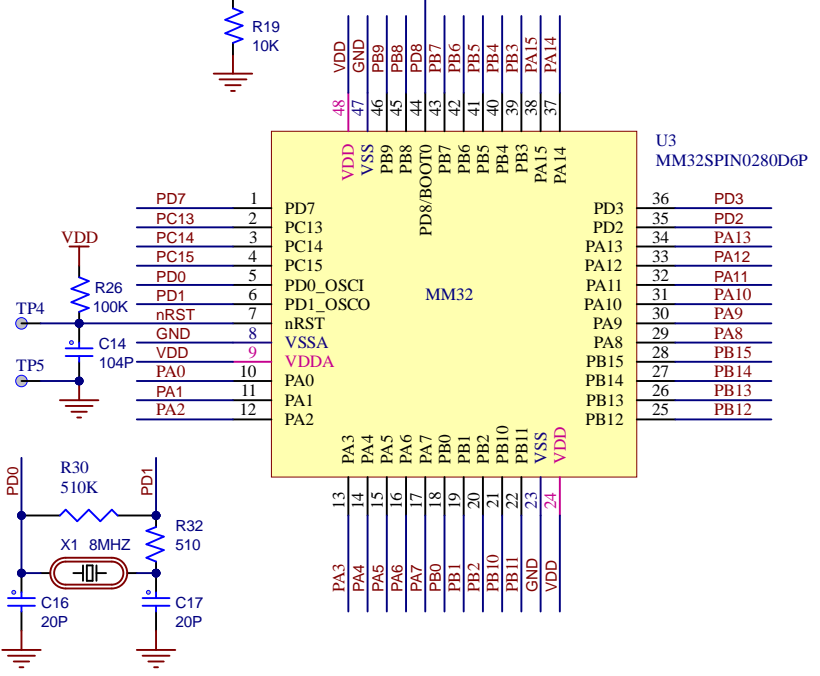


SWD&UART

Power

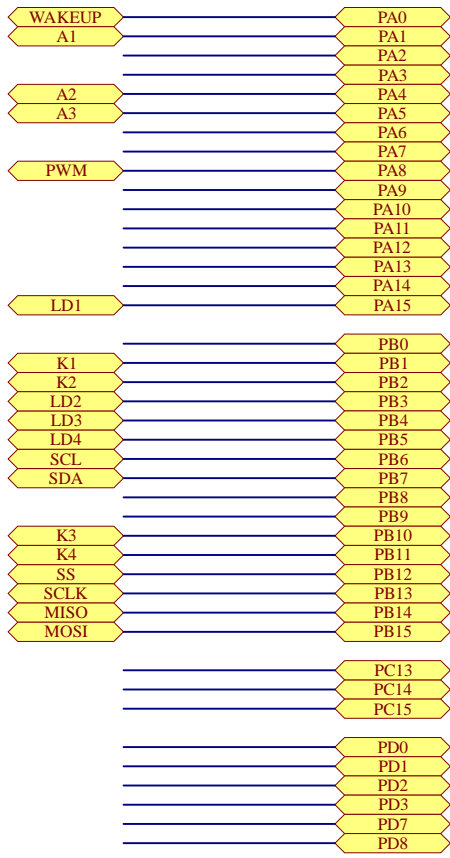


MCU



Project Title				MB073_Miniboard_MM32SPIN0280D6P			
Sheet Title				MB073_Miniboard_MM32SPIN0280D6P			
Size	A4	Rev	1.1	Drawn	Lu Weiwei		
Sheet	2	/	8	Checked	Li Hongpeng		
Data	2023.08.14			Approved	Chen Do		

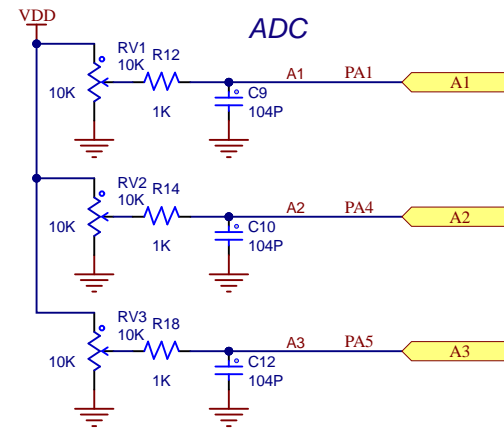
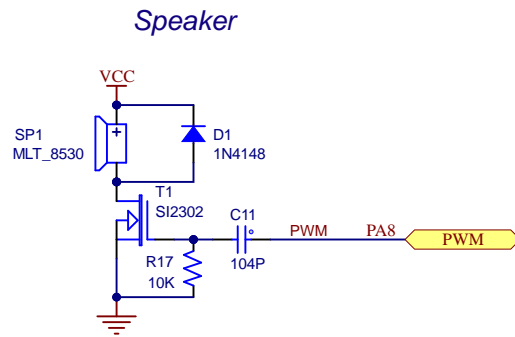




PA0/UART2_CTS/TIM2_CH1/TIM2_ETR/PWMTRIG1/TIM14_CH1/COMP4_OUT/ADC1_VIN[0]/WKP1
 PA1/UART2_RTS/TIM2_CH2/PWMTRG2/TIM1_CH2/ADC1_VIN[1]
 PA2/UART2_TX/TIM2_CH3/PWMTRG3/TIM1_CH2N/COMP5_OUT/ADC1_VIN[2]/WKP3
 PA3/UART2_RX/TIM2_CH4/TIM1_CH3/ADC1_VIN[3]
 PA4/SPI1_NSS/SPI1_SCK/TIM1_CH3N/TIM14_CH1/ADC1_VIN[4]/ADC2_VIN[4]/OP_INP
 PA5/SPI1_SCK/SPI1_NSS/TIM2_CH1/TIM2_ETR/ADC1_VIN[5]/ADC2_VIN[5]/OP1_INM
 PA6/SPI1_MISO/TIM3_CH1/TIM1_BKIN/TIM8_BKIN/TIM16_CH1/COMP4_OUT/ADC1_VIN[6]/ADC2_VIN[6]/COMP4_INP1/COMP5_INP1/OP1_OUT
 PA7/SPI1_MOSI/TIM3_CH2/TIM1_CH1N/TIM8_CH1N/TIM14_CH1/TIM17_CH1/COMP5_OUT/ADC1_VIN[7]/ADC2_VIN[7]
 PA8/MCO/TIM1_CH1/COMP4_INM1/COMP5_INM1/OP4_INM
 PA9/UART1_TX/TIM1_CH2/UART1_RX/I2C1_SCL/MCO/OP4_OUT/ADC1_VIN[12]/ADC2_VIN[12]/DAC_OUT1
 PA10/TIM17_BKIN/UART1_RX/TIM1_CH3/UART1_TX/I2C1_SDA/TIM16_CH1/ADC2_VIN[0]
 PA11/UART2_TX/UART1_CTS/TIM1_CH4/TIM1_CH3/TIM2_CH1/TIM2_ETR/PWMTRG1/I2C1_SCL/TIM1_BKIN/COMP4_OUT/COMP5_INP0
 PA12/UART2_RX/UART1_RTS/TIM1_ETR/TIM1_CH3N/TIM2_CH2/PWMTRG2/I2C1_SDA/TIM8_BKIN/COMP5_OUT/COMP5_INM2
 PA13/SWDIO/UART1_RX/COMP2_OUT
 PA14/SWDCLK/UART2_TX/UART1_TX/COMP1_OUT
 PA15/SPI1_NSS/UART2_RX/TIM2_CH1/TIM2_ETR/SPI2_SCK/SPI2_MOSI/SPI2_MISO/TIM1_CH1N/TIM1_CH3N
 PB0/TIM3_CH3/TIM1_CH2N/TIM8_CH2N/OP2_INP/ADC1_VIN[8]/ADC2_VIN[8]
 PB1/TIM14_CH1/TIM3_CH4/TIM1_CH3N/TIM8_CH3N/TIM2_CH3/PWMTRG3/OP2_INM/ADC1_VIN[9]/ADC2_VIN[9]
 PB2/CSM_CH1_TXRX/COMP4_INP2/COMP5_INP2/OP2_OUT/ADC1_VIN[10]/ADC2_VIN[10]
 PB3/SPI1_SCK/TIM2_CH2/TIM1_CH2N/TIM1_CH3
 PB4/SPI1_MISO/TIM3_CH1/TIM17_BKIN/TIM1_CH3N/TIM1_CH2N
 PB5/SPI1_MISO/TIM3_CH2/TIM16_BKIN/TIM1_CH1/TIM1_CH2
 PB6/UART1_TX/I2C1_SCL/TIM16_CH1N/TIM1_CH2/TIM1_CH1N
 PB7/UART1_RX/I2C1_SDA/TIM17_CH1N/TIM1_CH3/TIM1_CH1
 PB8/UART1_RX/I2C1_SCL/TIM16_CH1/TIM1_CH1/TIM3_CH2/COMP1_INP
 PB9/UART1_TX/I2C1_SDA/TIM17_CH1/SPI2_NSS/TIM3_CH3/COMP1_INM
 PB10/I2C_SCL/TIM2_CH3/CSM_CH1_TXRX/SPI2_SCK/COMP4_INP3/COMP5_INP3/OP3_OUT/ADC1_VIN[11]/ADC2_VIN[11]
 PB11/I2C1_SDA/TIM2_CH4/OP3_INM
 PB12/SPI2_NSS/SPI2_SCK/TIM1_BKIN/SPI2_MOSI/SPI2_MISO/OP3_INP/COMP4_INM0/COMP5_INM0
 PB13/SPI2_SCK/SPI2_MISO/TIM1_CH1N/SPI2_NSS/SPI2_MOSI/I2C1_SCL/TIM17_CH1
 PB14/SPI2_MISO/SPI2_MOSI/TIM1_CH2N/SPI2_SCK/SPI2_NSS/I2C1_SDA/ADC2_VIN[2]
 PB15/SPI2_MOSI/SPI2_NSS/TIM1_CH3N/SPI2_MISO/SPI2_SCK/ADC2_VIN[1]/OP4_INP/WKP6
 PC13/TIM2_CH1/TIM2_ETR/PWMTRG1/COMP2_INM/WKP2
 PC14/TIM2_CH2/PWMTRG2/COMP3_INP
 PC15/TIM2_CH3/PWMTRG3/COMP3_INM
 PD0/TIM1_CH1N/I2C1_SDA/UART3_TX/UART1_TX/TIM8_ETR/SPI1_MOSI/COMP2_OUT/OSC_IN
 PD1/TIM1_BKIN/I2C1_SCL/UART3_RX/UART1_RX/SPI1_MISO/SPI1_SCK/COMP3_OUT/OSC_OUT
 PD2/I2C1_SCL/SPI1_NSS/COMP4_INP0
 PD3/I2C1_SDA/SPI1_SCK/SPI1_MISO/COMP4_INP0
 PD7/TIM3_CH1/TIM17_CH1/COMP2_INP
 PD8/UART1_TX/TIM16_CH1N/BOOT0

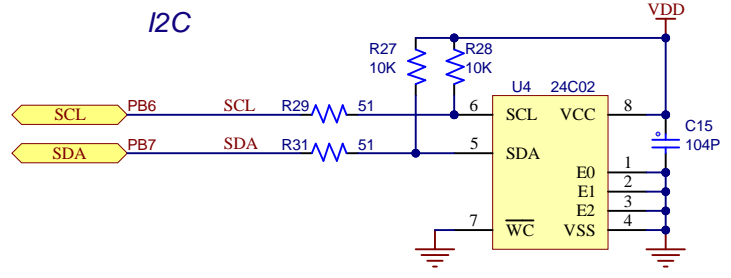
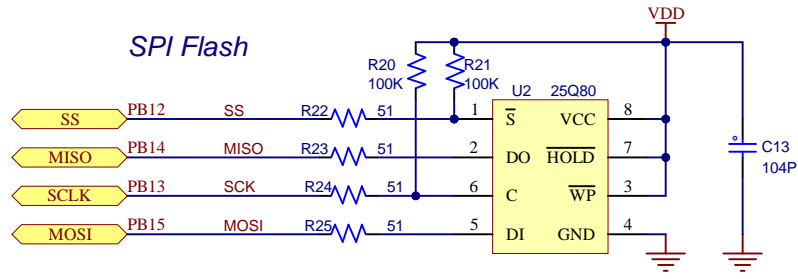
Project Title				MB073_Miniboard_MM32SPIN0280D6P			
Sheet Title				Connection			
Size	A4	Rev	1.1	Drawn	Lu Weiwei		
Sheet	3	/	8	Checked	Li Hongpeng		
Data	2023.08.14			Approved	Chen Do		





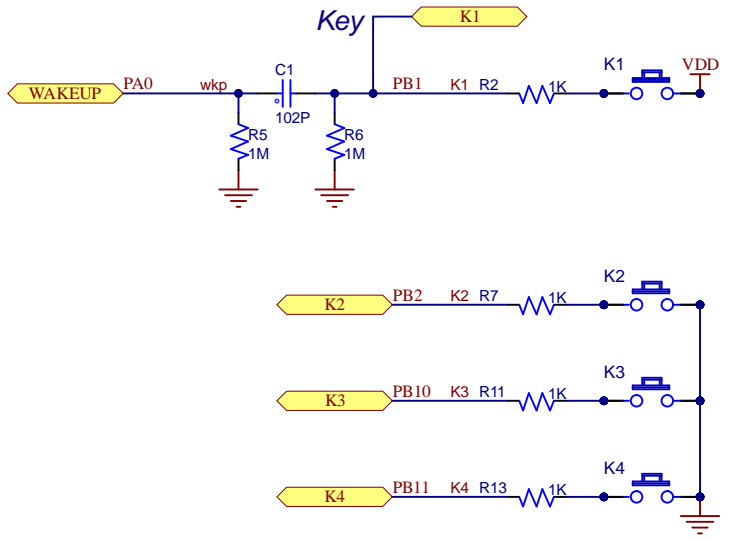
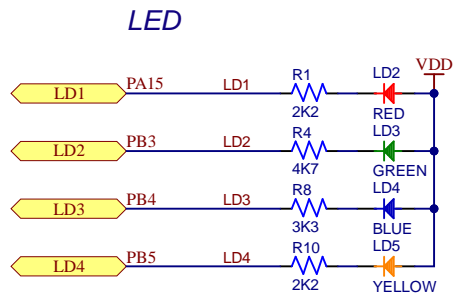
Project Title		MB073_Miniboard_MM32SPIN0280D6P	
Sheet Title		ADC&PWM	
Size	A4	Rev	1.1
Sheet	4	Checked	Li Hongpeng
Data	2023.08.14	Approved	Chen Do





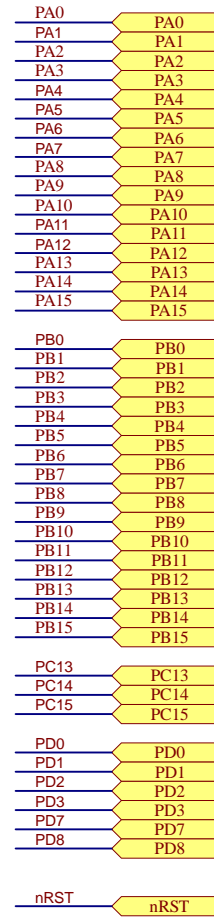
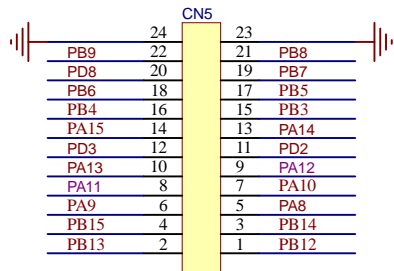
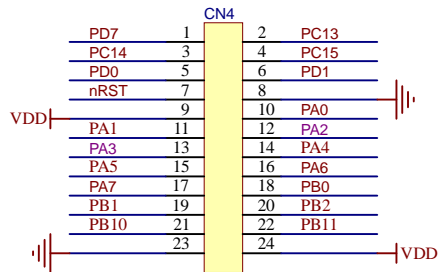
Project Title		MB073_Miniboard_MM32SPIN0280D6P	
Sheet Title		I2C&SPI	
Size	A4	Rev	1.1
Sheet	5	Checked	Li Hongpeng
Data	2023.08.14	Approved	Chen Do





Project Title		MB073_Miniboard_MM32SPIN0280D6P	
Sheet Title		LED&KEY	
Size	A4	Rev	1.1
Sheet	6 / 8	Drawn	Lu Weiwei
Data	2023.08.14	Checked	Li Hongpeng
		Approved	Chen Do





Project Title		MB073_Miniboard_MM32SPIN0280D6P	
Sheet Title		GPIOs Interface	
Size	A4	Rev	1.1
Sheet	7 / 8	Drawn	Lu Weiwei
Data	2023.08.14	Checked	Li Hongpeng
		Approved	Chen Do



1

2

3

4

A

B

C

D

A

B

C

D

MB073更改记录:

- 1) 更改丝印PB8,PB9对调错误
- 2) 更正LED 丝印方向错误
- 3) 修改 GPIO接口 中多余VDD为GND
- 4) SCH 由A1更改为A4,使打印显示最大化

Project Title		MB073_Miniboard_MM32SPIN0280D6P	
Sheet Title		RevCtrl	
Size	A4	Rev	1.1
Sheet	8 / 8	Checked	Li Hongpeng
Data	2023.08.14	Approved	Chen Do



1

2

3

4