

Mini-F5287-OB

MiniBoard | MB110 | Rev 1.0

Table of Contents :

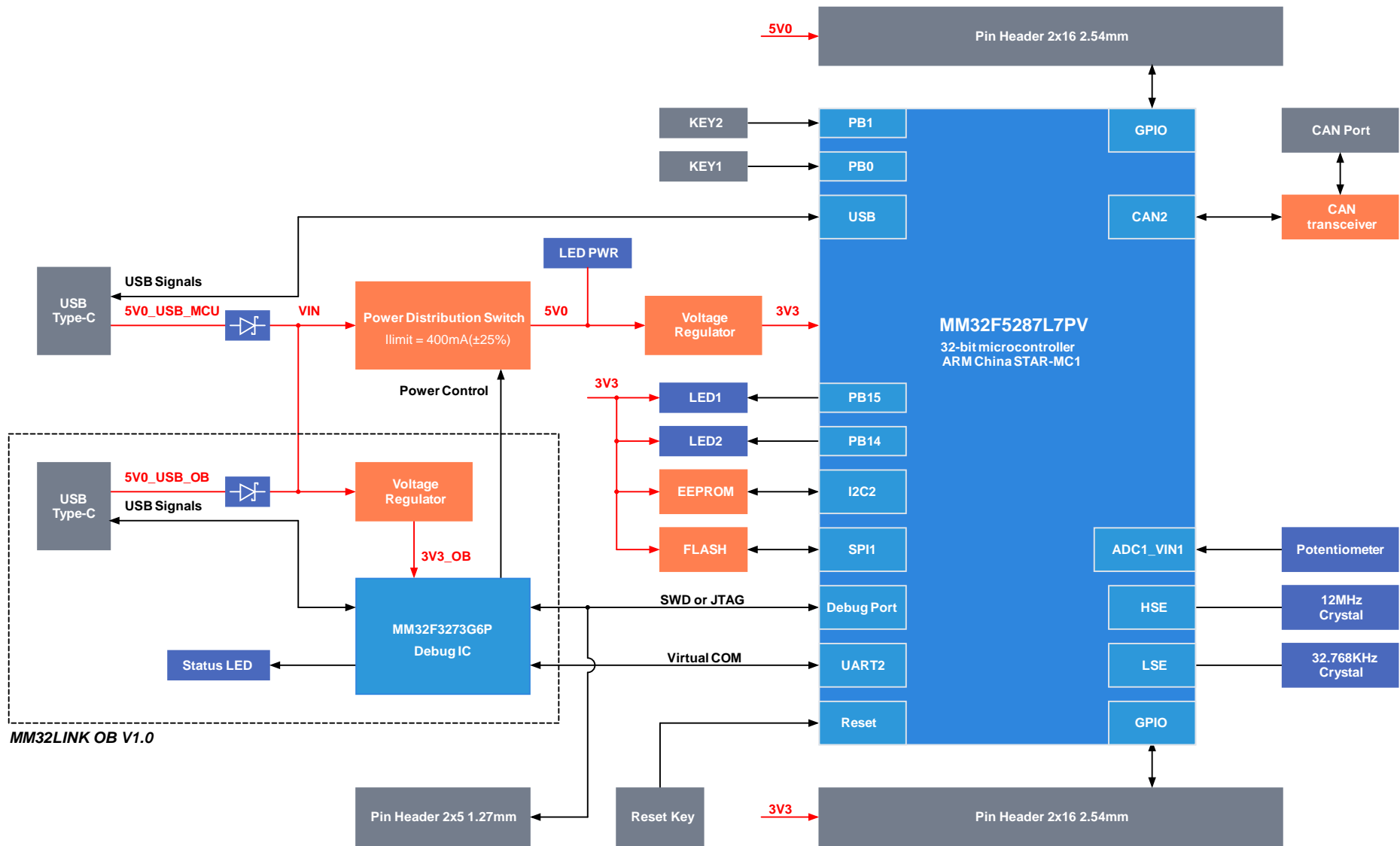
- [1] Project Overview
- [2] System Block Diagram
- [3] MM32LINK-OB V1.0
- [4] Target Power
- [5] Target MCU
- [6] Onboard Resources
- [7] Extension Connectors

Revision History:

V1.0 First Release

Sheet Title	Project Overview		
Project Title	Mini-F5287-OB		
Size	A4	Ver.	1.0
Sheet	1 / 7	Drawn	Li Hongpeng
Date	2023.11.13	Checked	Li Hongpeng
		Approved	Chen Do

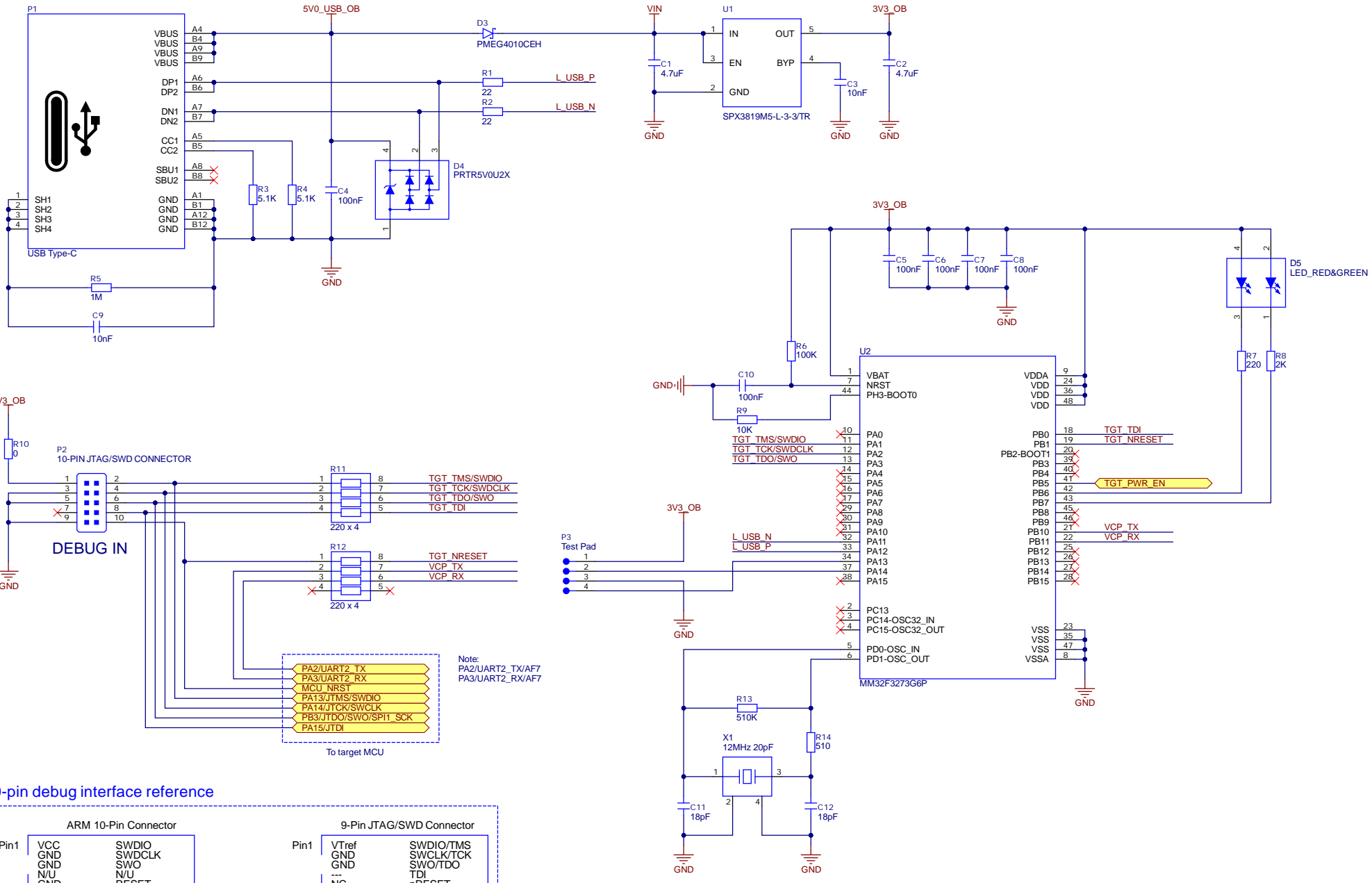




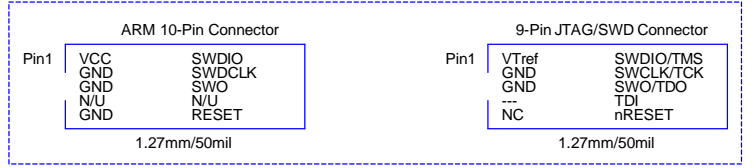
MM32LINK OB V1.0

Sheet Title		System Block Diagram			
Project Title		Mini-F5287-OB			
Size	A4	Ver.	1.0	Drawn	Li Hongpeng
Sheet	2 / 7	Checked		Checked	Li Hongpeng
Date	2023.11.13	Approved		Approved	Chen Do



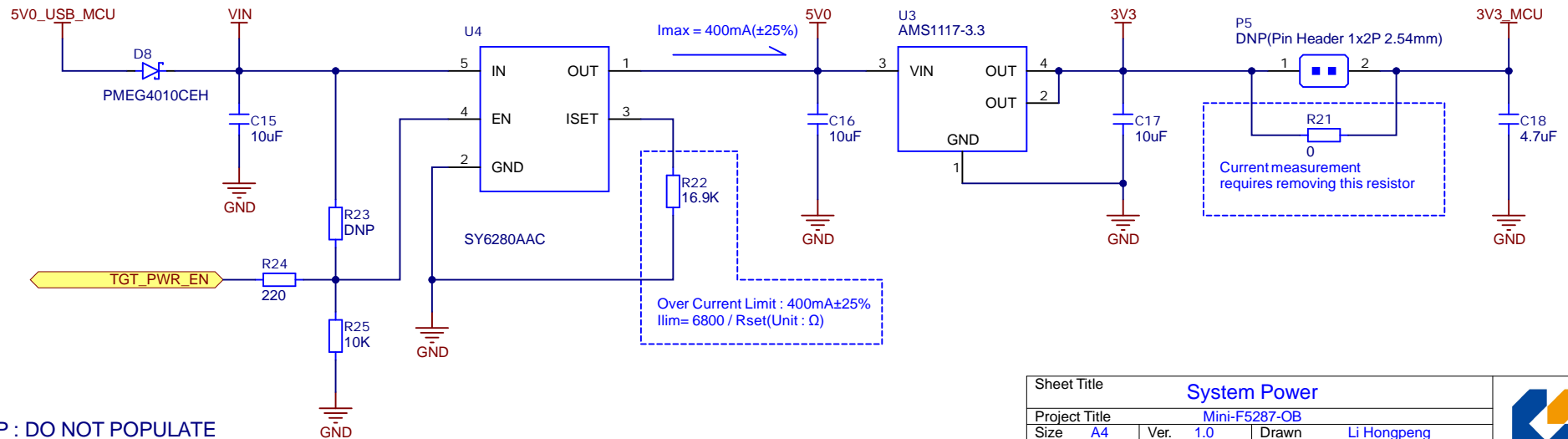
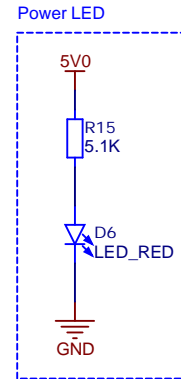
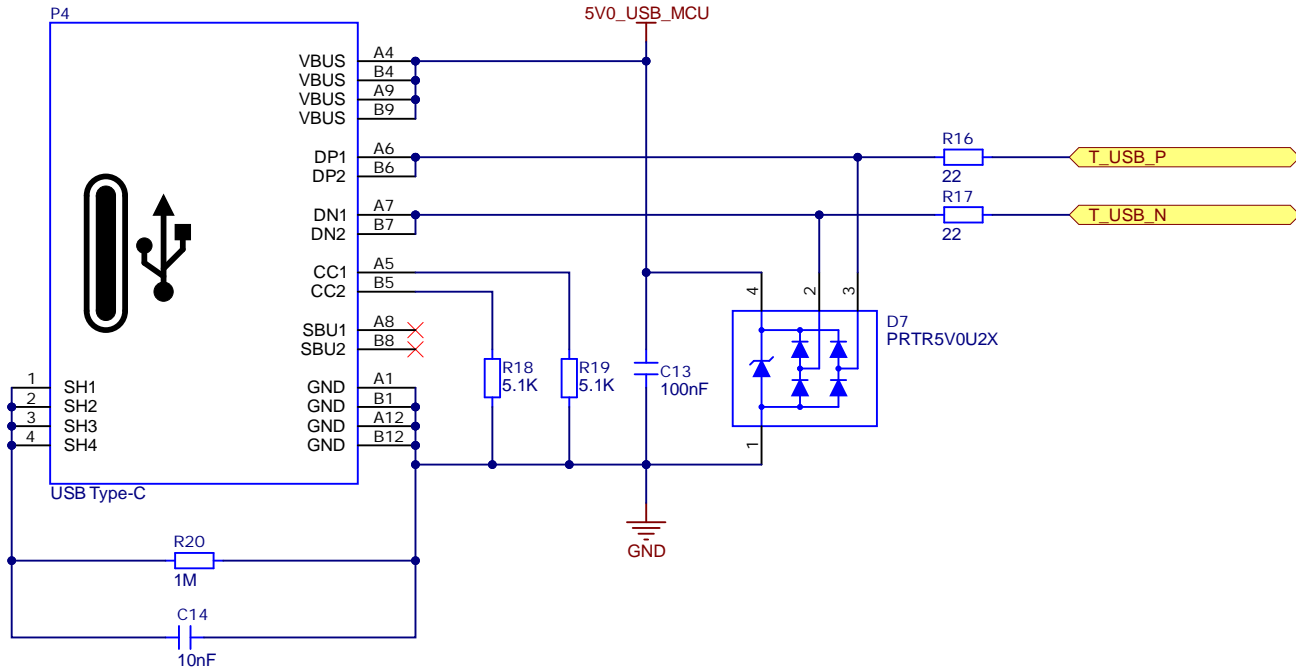


10-pin debug interface reference



Sheet Title		MM32LINK-OB V1.0	
Project Title		Mini-F5287-OB	
Size	A3 / Ver. 1.0	Drawn	Li Hongpeng
Sheet	3 / 7	Checked	Li Hongpeng
Date	2023.11.13	Approved	Chen Do





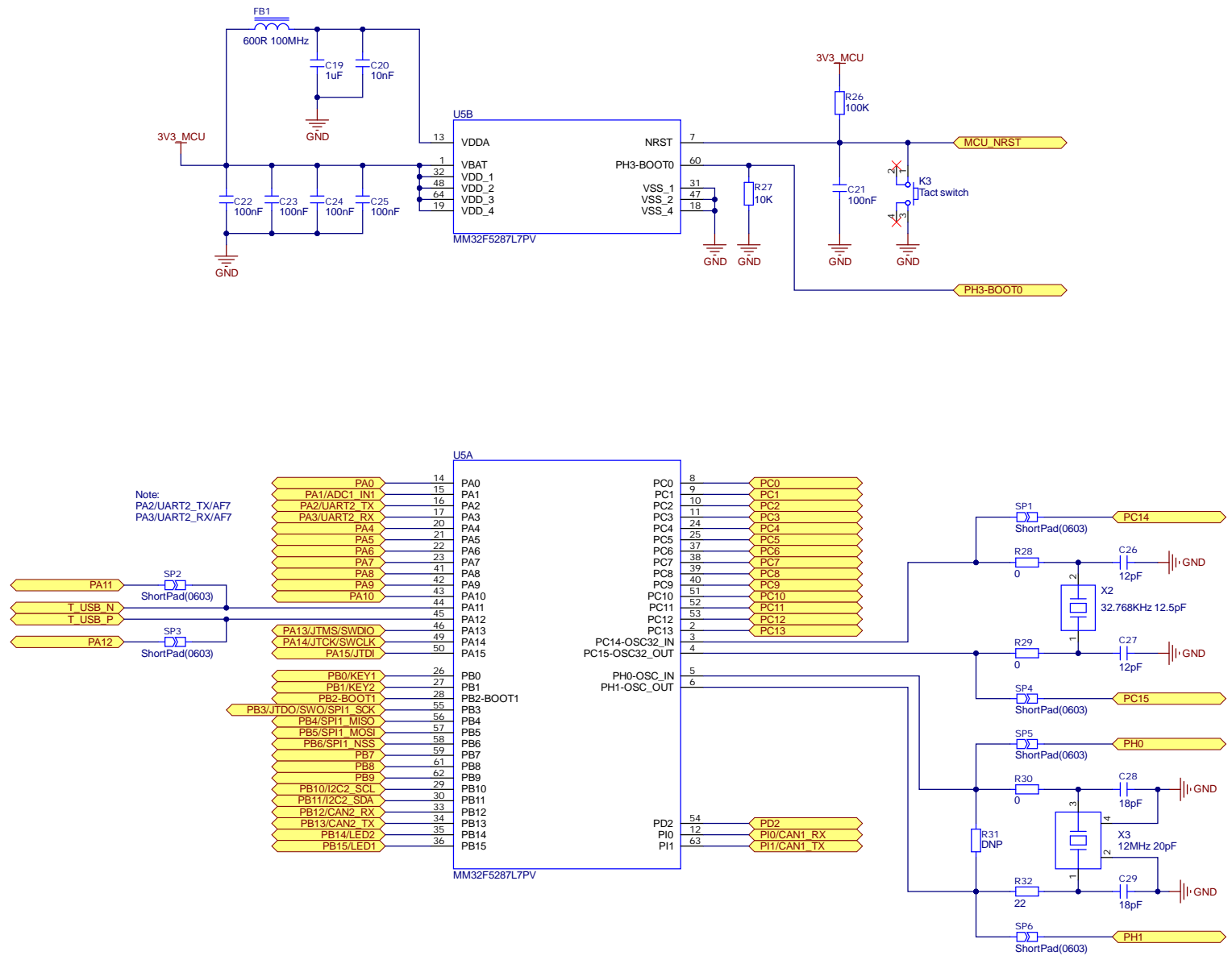
Over Current Limit : 400mA±25%
 $I_{lim} = 6800 / R_{set}(\text{Unit} : \Omega)$

Current measurement requires removing this resistor

DNP : DO NOT POPULATE

Sheet Title		System Power	
Project Title		Mini-F5287-OB	
Size	A4	Ver.	1.0
Sheet	4 / 7	Drawn	Li Hongpeng
Date	2023.11.13	Checked	Li Hongpeng
		Approved	Chen Do



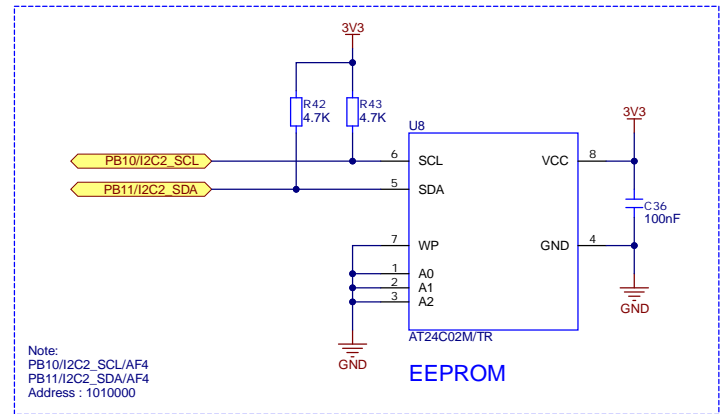
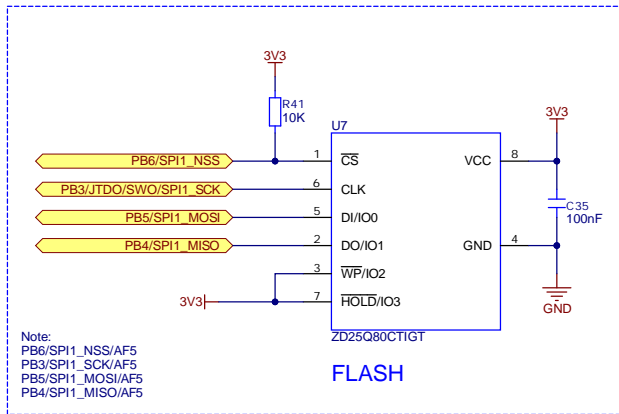
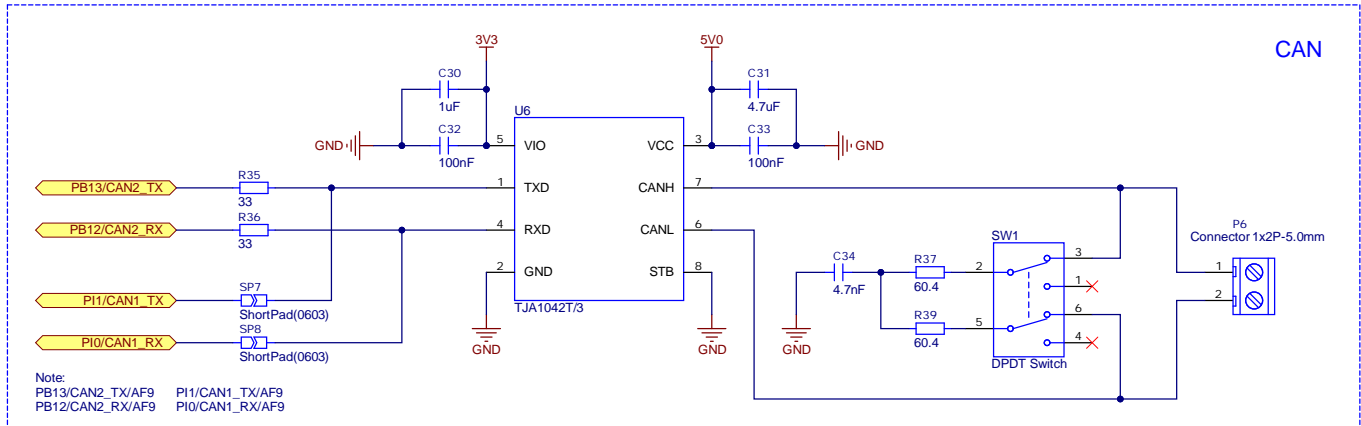
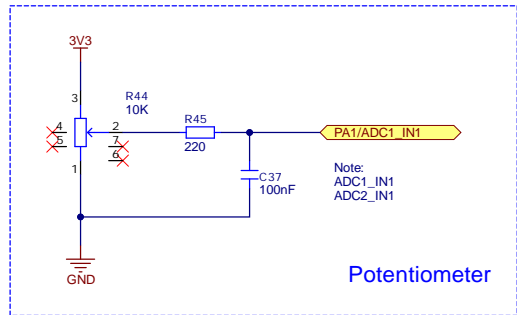
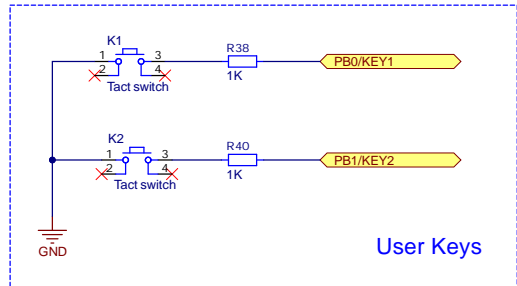
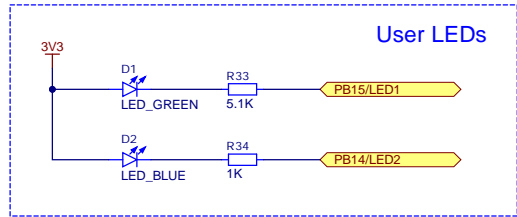


Note:
 PA2/UART2_TX/AF7
 PA3/UART2_RX/AF7

DNP : DO NOT POPULATE

Sheet Title		Target MCU	
Project Title		Mini-F5287-OB	
Size	A3 / Ver.	1.0	Drawn Li Hongpeng
Sheet	5 / 7	Checked	Li Hongpeng
Date	2023.11.13	Approved	Chen Do

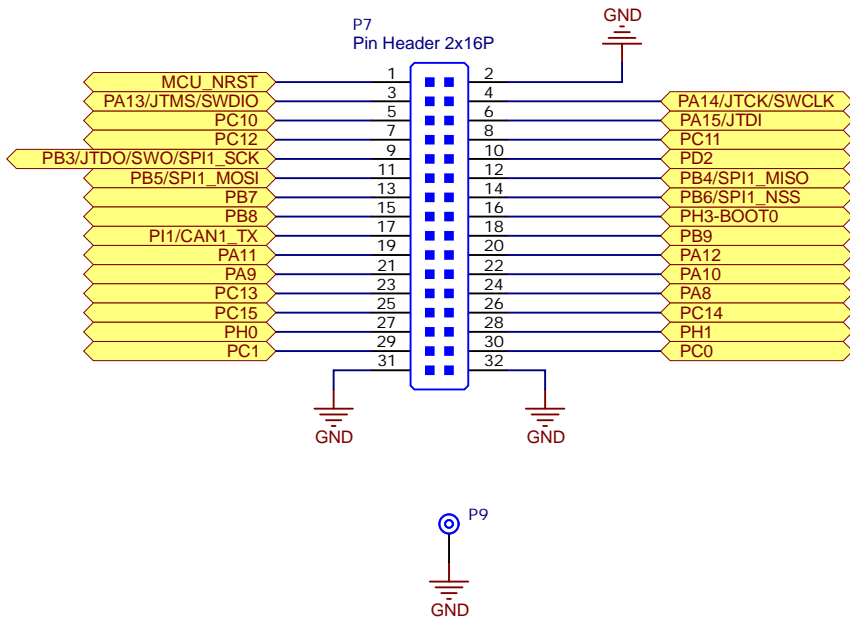




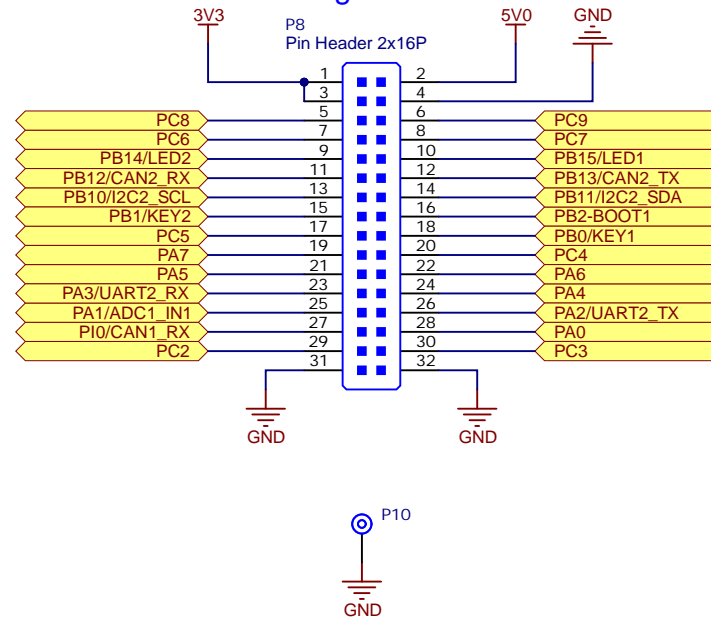
Sheet Title		Onboard Resources	
Project Title		Mini-F5287-OB	
Size	A3	Ver.	1.0
Sheet	6 / 7	Drawn	Li Hongpeng
Date	2023.11.13	Checked	Li Hongpeng
		Approved	Chen Do



Left Part:



Right Part:



Sheet Title				Extension Connectors			
Project Title				Mini-F5287-OB			
Size	A4	Ver.	1.0	Drawn	Li Hongpeng		
Sheet	7 / 7			Checked	Li Hongpeng		
Date	2023.11.13			Approved	Chen Do		



