

Mini-G0020-OB

MiniBoard | MB109 | Rev 1.0

Table of Contents :

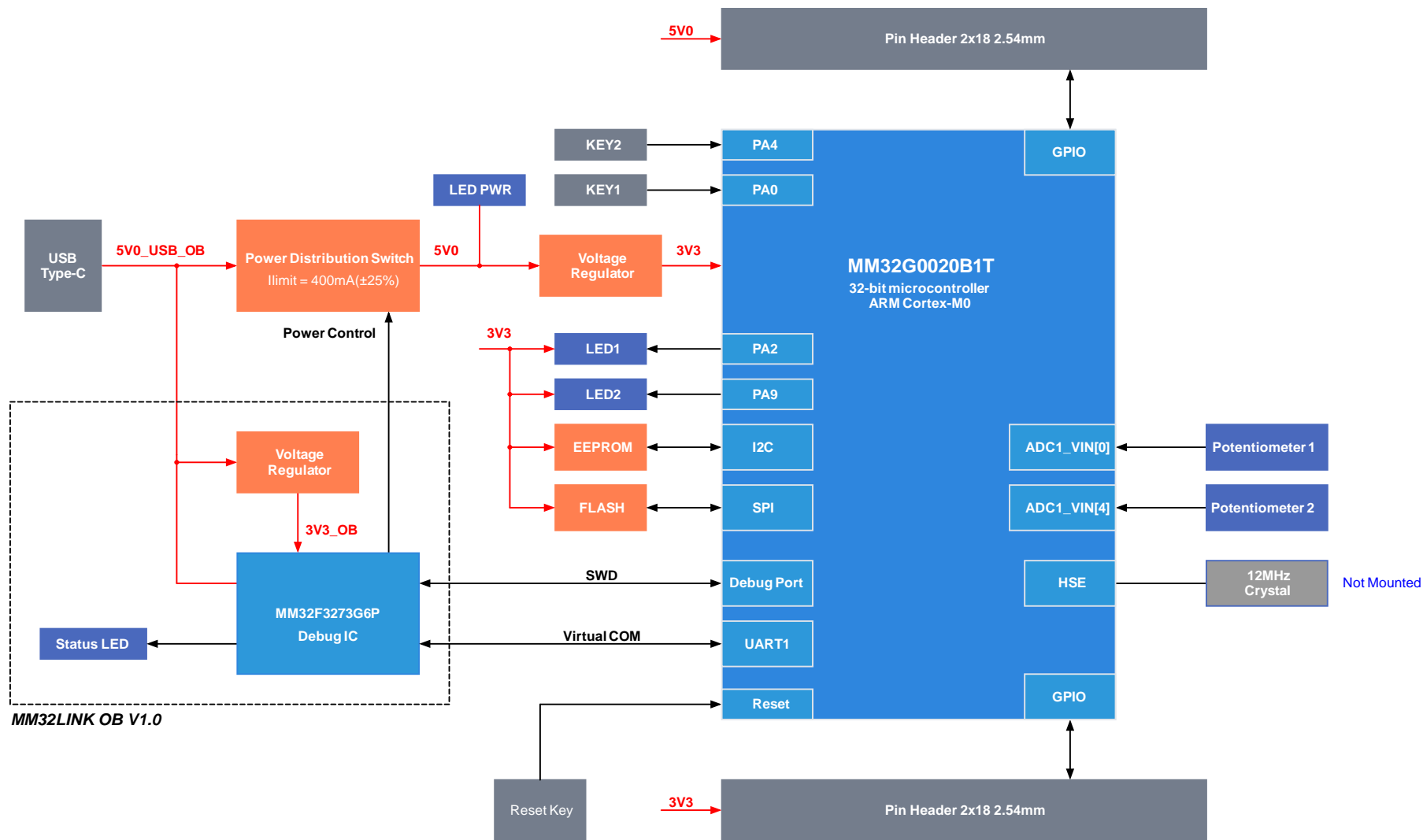
- [1] Project Overview
- [2] System Block Diagram
- [3] MM32LINK-OB V1.0
- [4] System Power
- [5] Target MCU
- [6] Onboard Resources
- [7] Extension Connectors

Revision History:

V1.0 First Release

Sheet Title	Project Overview		
Project Title	Mini-G0020-OB		
Size	A4	Ver.	1.0
Sheet	1 / 7	Drawn	Li Hongpeng
Date	2023.10.23	Checked	Li Hongpeng
		Approved	Chen Do





Sheet Title		System Block Diagram	
Project Title		Mini-G0020-OB	
Size	A4	Ver.	1.0
Sheet	2 / 7	Drawn	Li Hongpeng
Date	2023.10.23	Checked	Li Hongpeng
		Approved	Chen Do



1

2

3

4

A

A

B

B

C

C

D

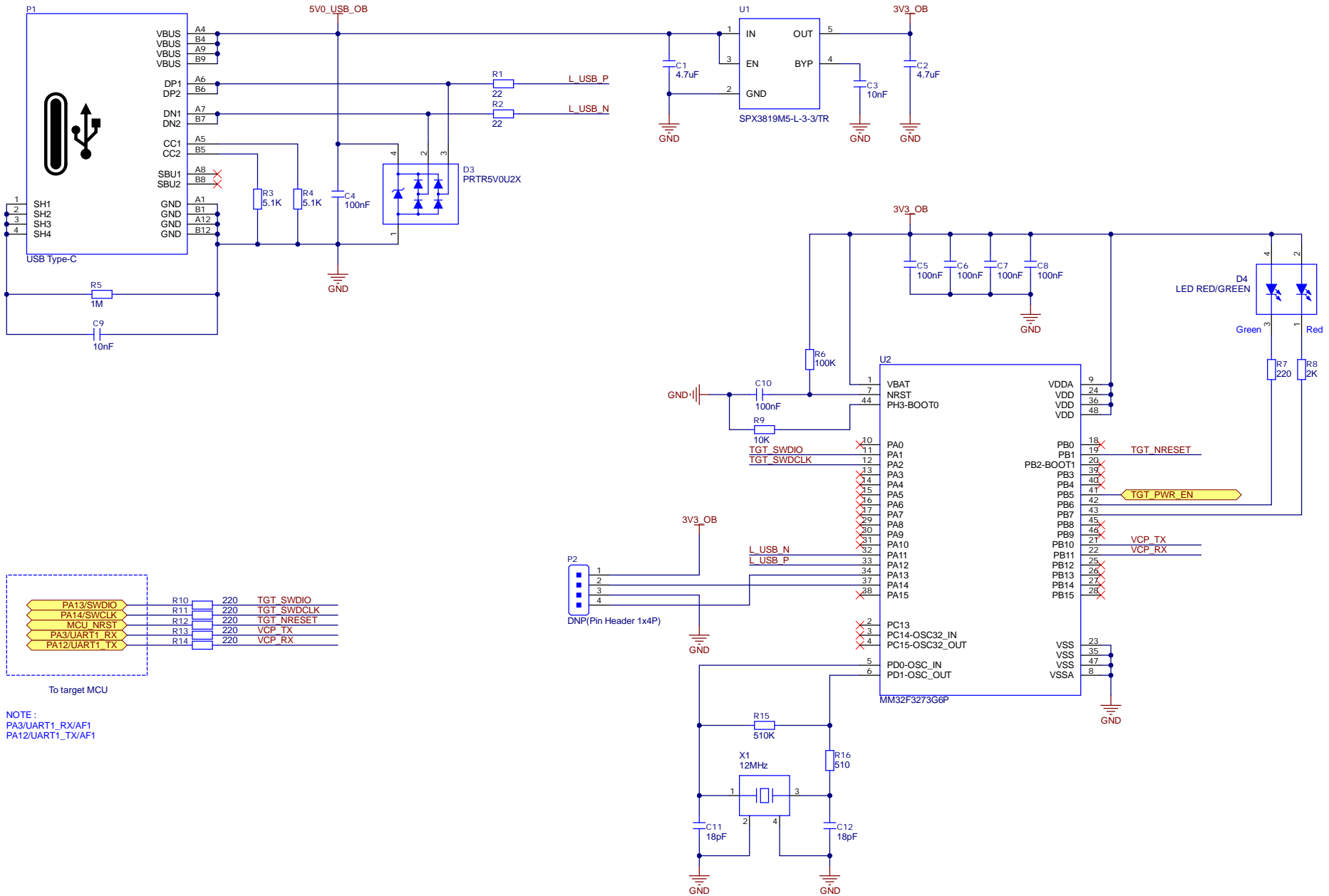
D

1

2

3

4



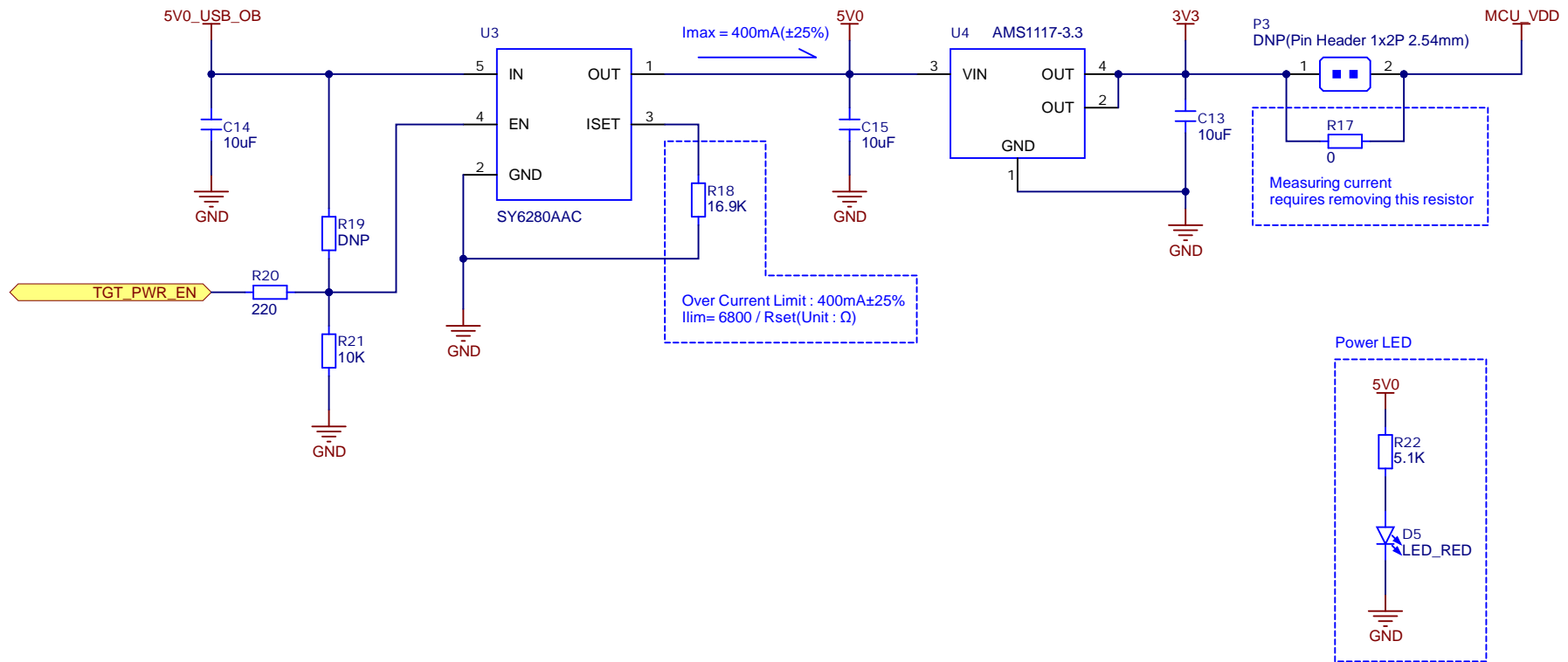
PA13/SWDIO	R10	220	TGT SWDIO
PA14/SWCLK	R11	220	TGT SWDCLK
MCU NRST	R12	220	TGT NRESET
PA3/UART1_RX	R13	220	VCP_TX
PA12/UART1_TX	R14	220	VCP_RX

NOTE:
PA3/UART1_RX/AF1
PA12/UART1_TX/AF1

DNP : DO NOT POPULATE

Sheet Title		MM32LINK-OB V1.0	
Project Title	Mini-G0020-OB		
Size	A3	Ver.	1.0
Sheet	3 / 7	Drawn	Li Hongpeng
Date	2023.10.23	Checked	Li Hongpeng
		Approved	Chen Do

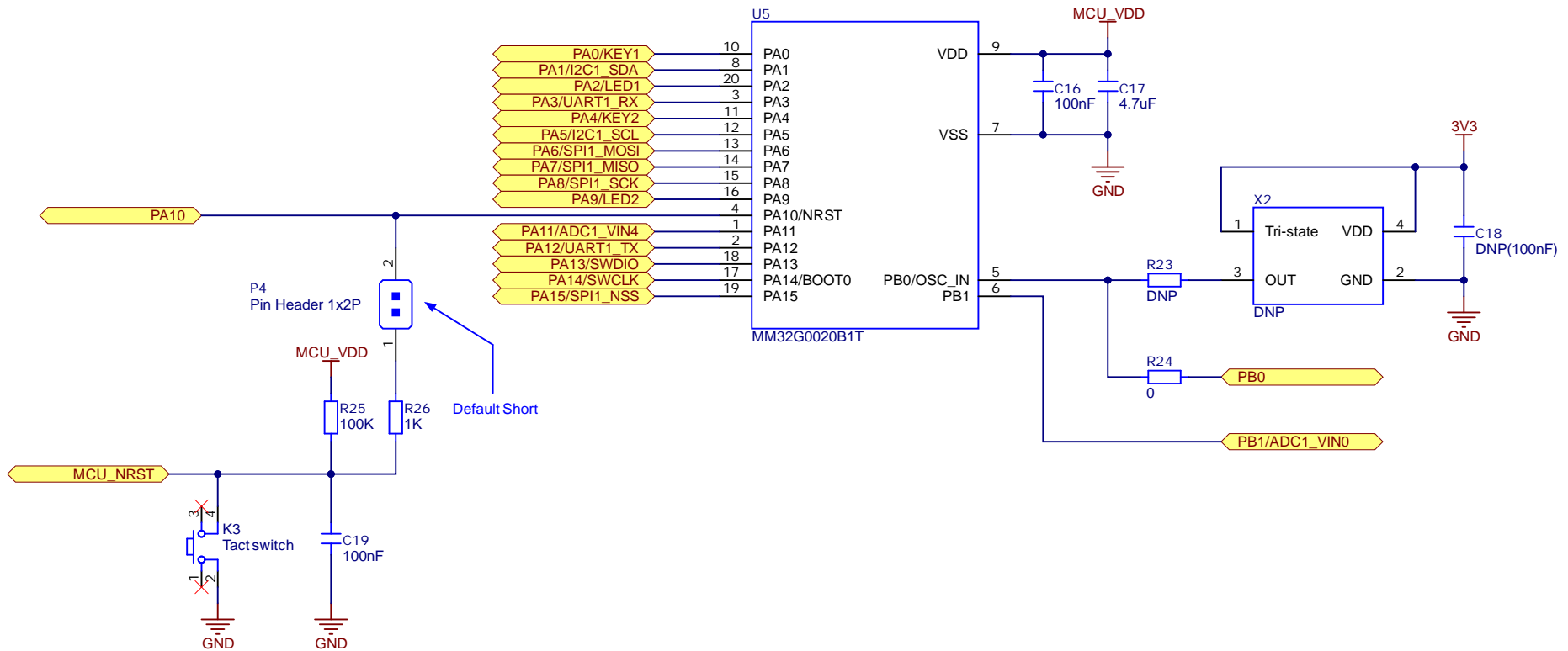




DNP : DO NOT POPULATE

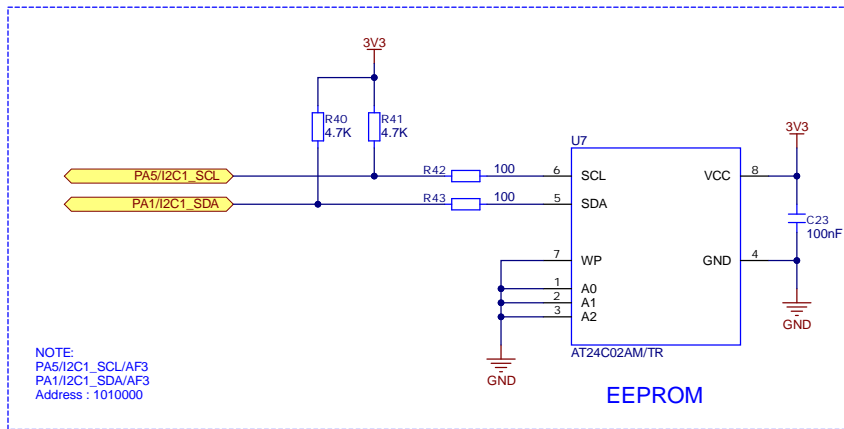
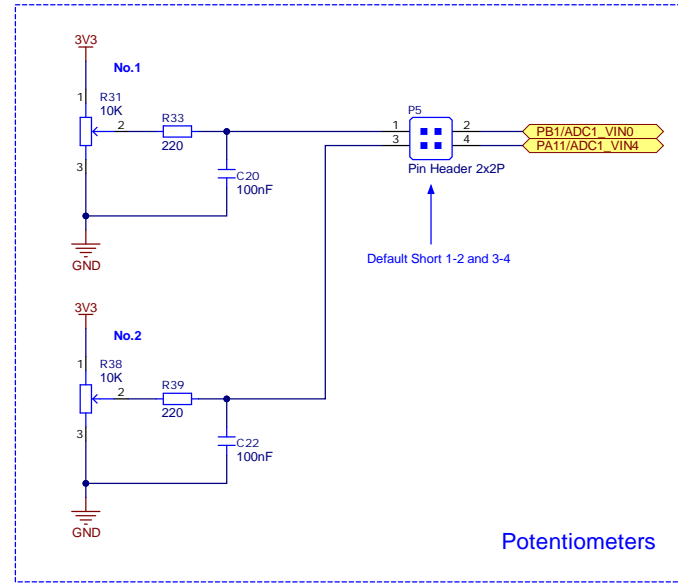
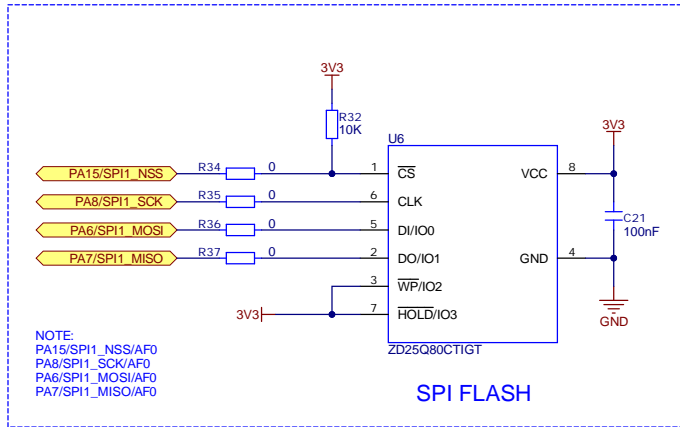
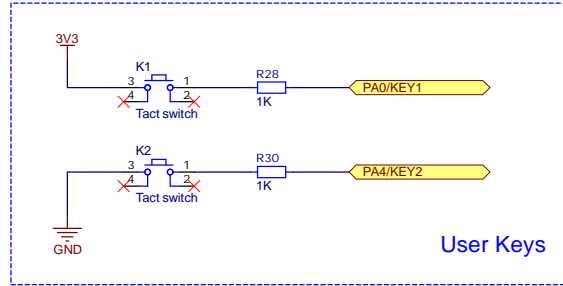
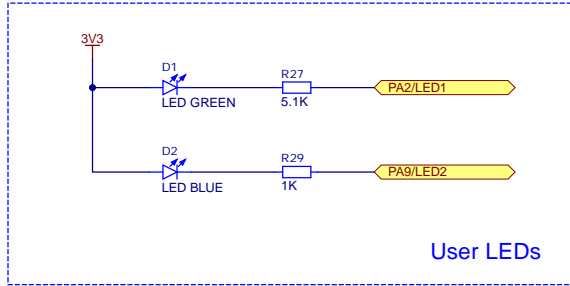
Sheet Title		System Power	
Project Title		Mini-G0020-OB	
Size	A4	Ver.	1.0
Sheet	4 / 7	Drawn	Li Hongpeng
Date	2023.10.23	Checked	Li Hongpeng
		Approved	Chen Do





Sheet Title		Target MCU	
Project Title		Mini-G0020-OB	
Size	A4	Ver.	1.0
Sheet	5 / 7	Drawn	Li Hongpeng
Date	2023.10.23	Checked	Li Hongpeng
		Approved	Chen Do

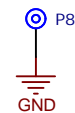
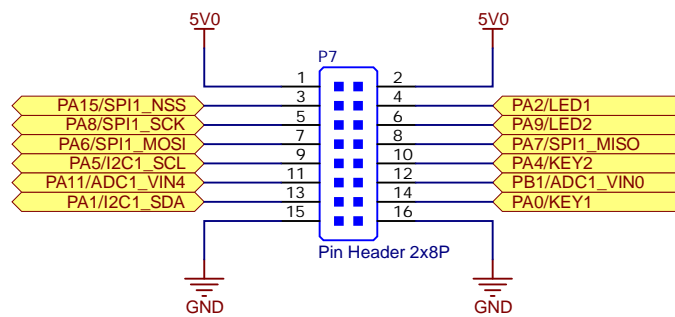
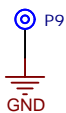
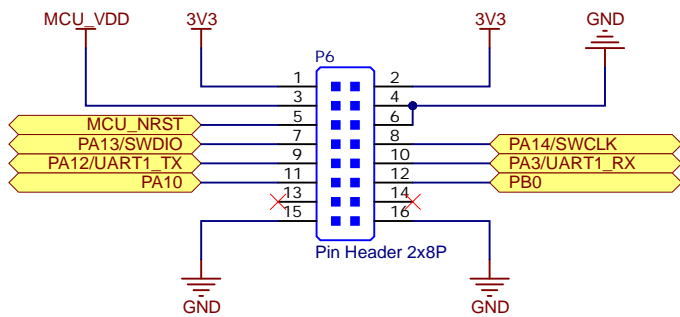




DNP : DO NOT POPULATE

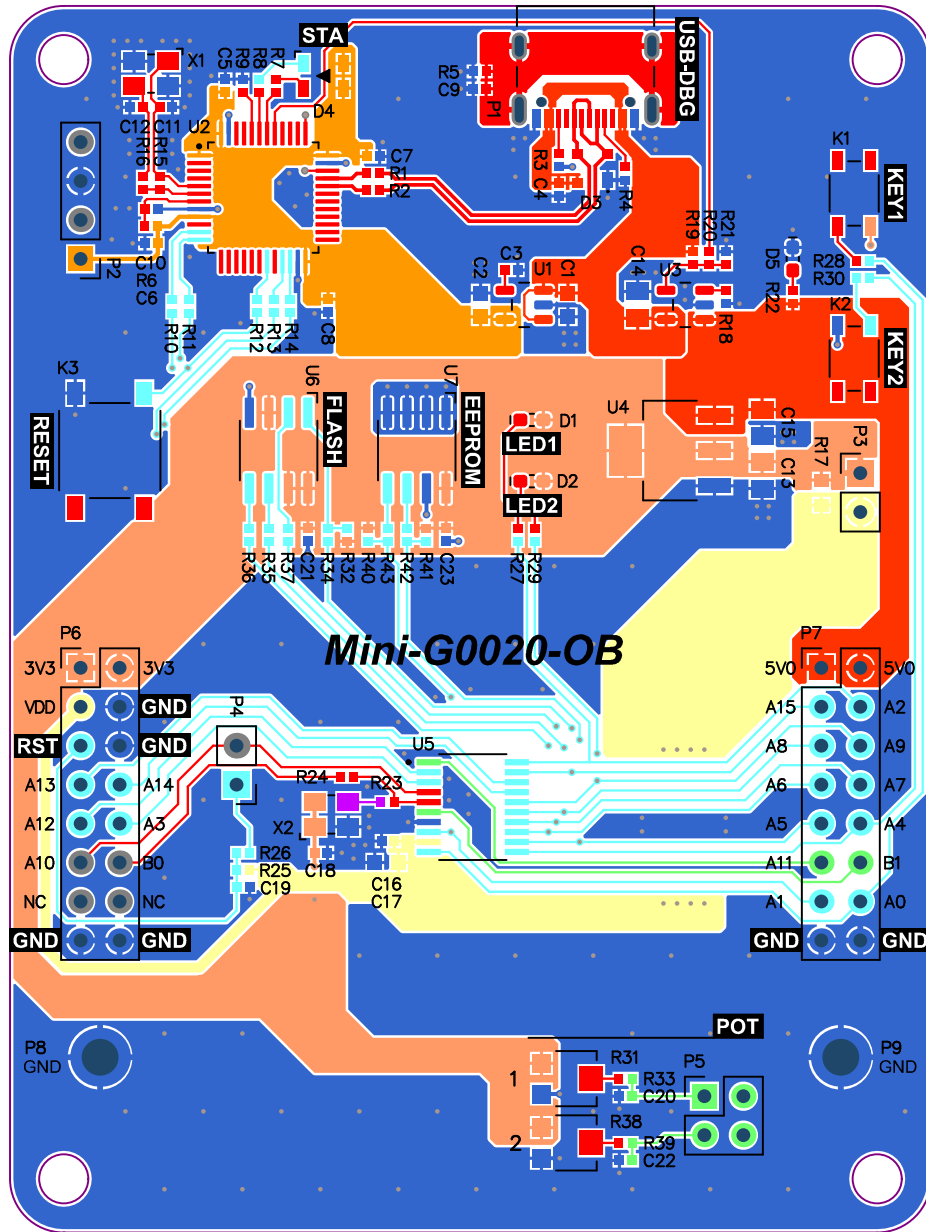
Sheet Title		Onboard Resources	
Project Title		Mini-G0020-OB	
Size	A3	Ver.	1.0
Sheet	6 / 7	Drawn	Li Hongpeng
Date	2023.10.23	Checked	Li Hongpeng
		Approved	Chen Do





Sheet Title		Extension Connectors	
Project Title		Mini-G0020-OB	
Size	A4	Ver.	1.0
Sheet	7 / 7	Drawn	Li Hongpeng
Date	2023.10.23	Checked	Li Hongpeng
		Approved	Chen Do

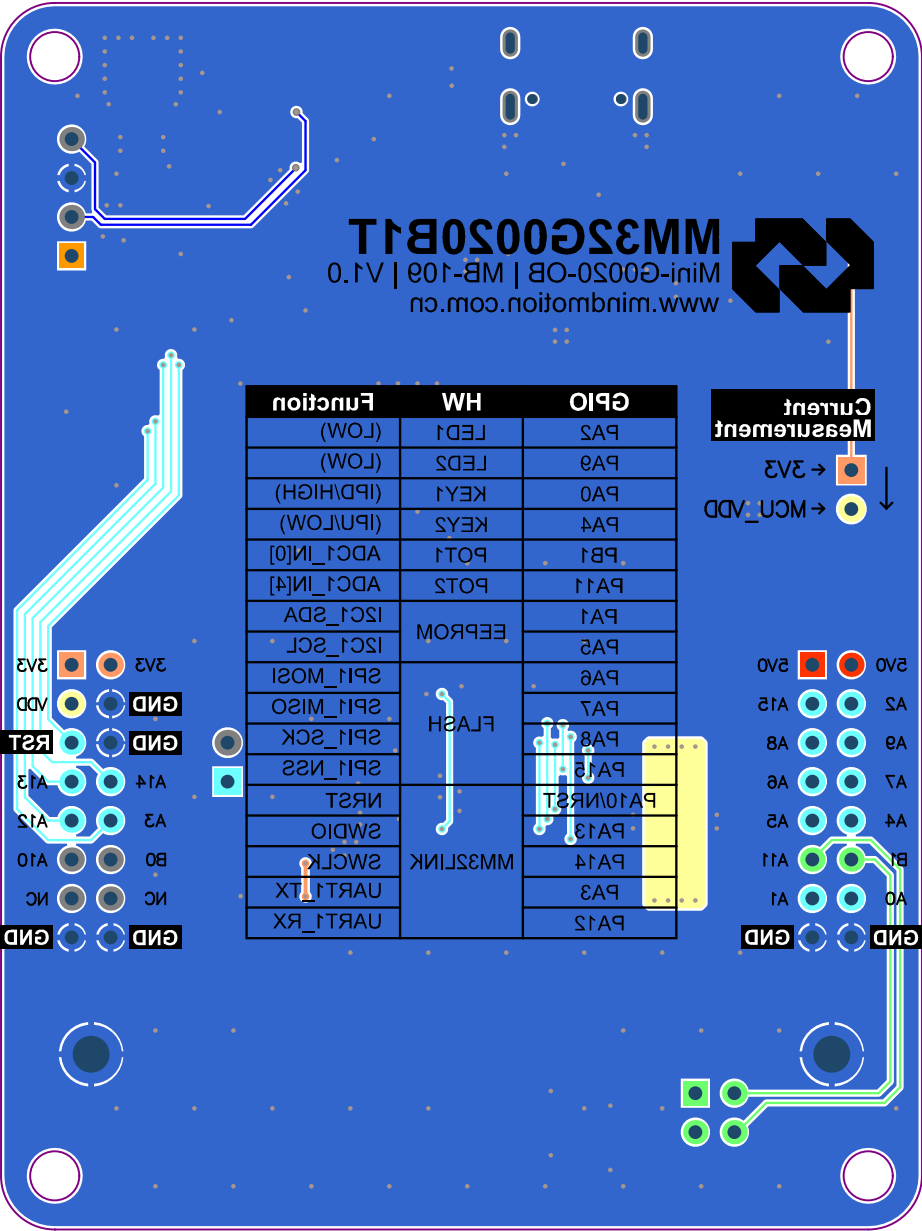
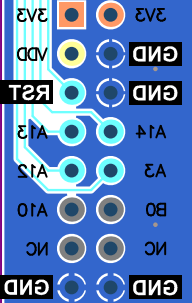
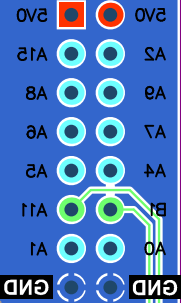
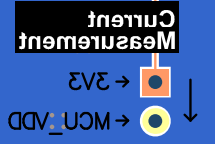


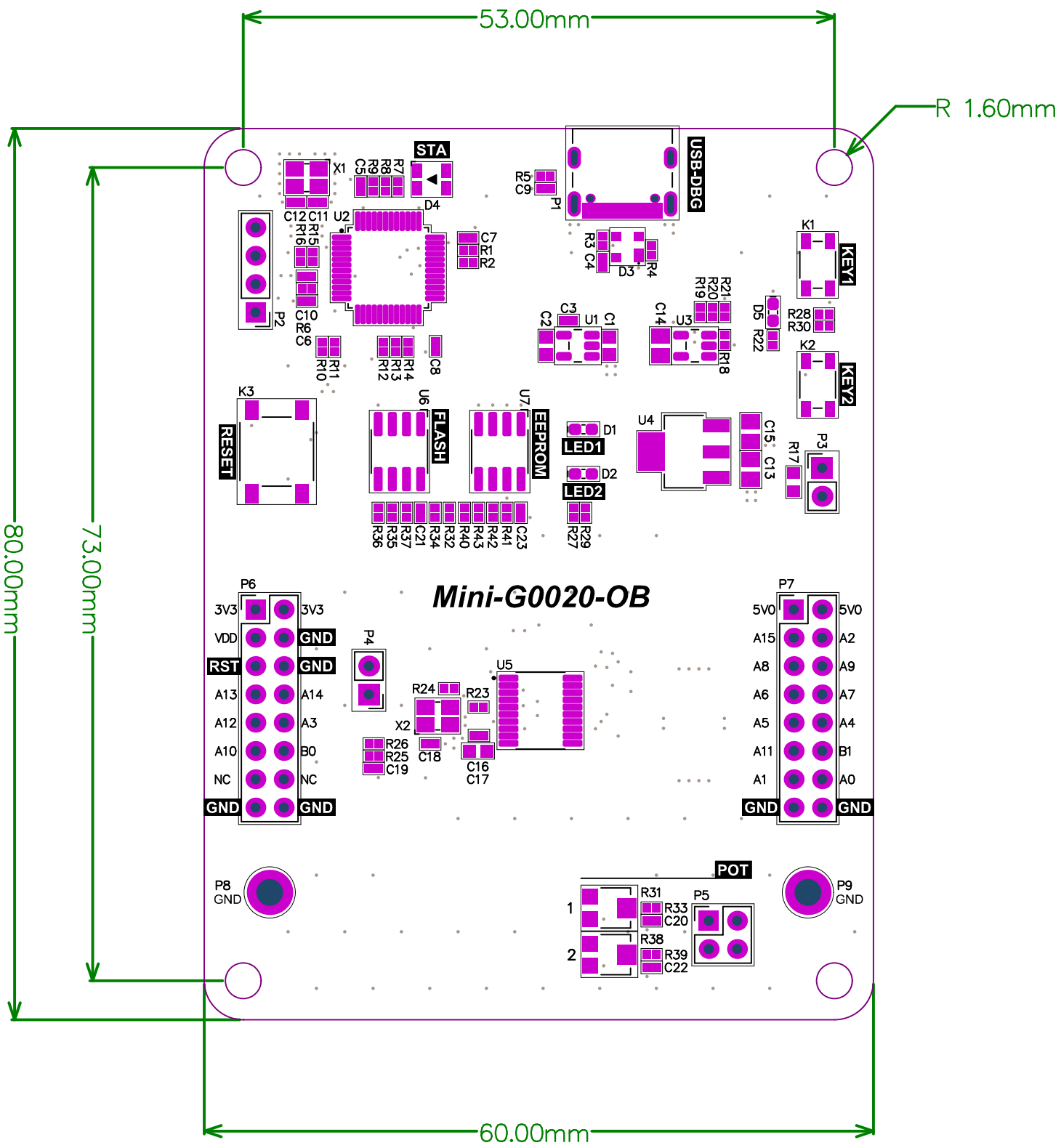


Mini-G0020-OB | MB-109 | V1.0
www.minbmotion.com.cn



GPIO	HW	Function
PA2	LED1	(LOW)
PA9	LED2	(LOW)
PA0	KEY1	(PDIHIGH)
PA4	KEY2	(PULOW)
PB1	POT1	ADCT_IN[0]
PA11	POT2	ADCT_IN[4]
PA1		I2C1_SDA
PA5	EEPROM	I2C1_SCL
PA6		SPIN_MOS1
PA7		SPIN_MISO
PA8	FLASH	SPIN_SCK
PA15		SPIN_NSS
PA10		NRST
PA13		SWDIO
PA14	MM32LINK	SWCLK
PA3		UART1_TX
PA12		UART1_RX







MM32G0020B1T

Mini-G0020-OB | MB-109 | V1.0

www.mindmotion.com.cn

Current Measurement

- ◼ ← 3V3
- ← MCU_VDD

GPIO	HW	Function
PA2	LED1	(LOW)
PA9	LED2	(LOW)
PA0	KEY1	(IPD/HIGH)
PA4	KEY2	(IPU/LOW)
PB1	POT1	ADC1_IN[0]
PA11	POT2	ADC1_IN[4]
PA1	EEPROM	I2C1_SDA
PA5		I2C1_SCL
PA6	FLASH	SPI1_MOSI
PA7		SPI1_MISO
PA8		SPI1_SCK
PA15		SPI1_NSS
PA10/NRST	MM32LINK	NRST
PA13		SWDIO
PA14		SWCLK
PA3		UART1_TX
PA12		UART1_RX

- 5V0 ◼ ◼ 5V0
- A2 ◼ ◼ A15
- A9 ◼ ◼ A8
- A7 ◼ ◼ A6
- A4 ◼ ◼ A5
- B1 ◼ ◼ A11
- A0 ◼ ◼ A1
- GND ◼ ◼ GND

- 3V3 ◼ ◼ 3V3
- GND ◼ ◼ VDD
- GND ◼ ◼ RST
- A14 ◼ ◼ A13
- A3 ◼ ◼ A12
- B0 ◼ ◼ A10
- NC ◼ ◼ NC
- GND ◼ ◼ GND